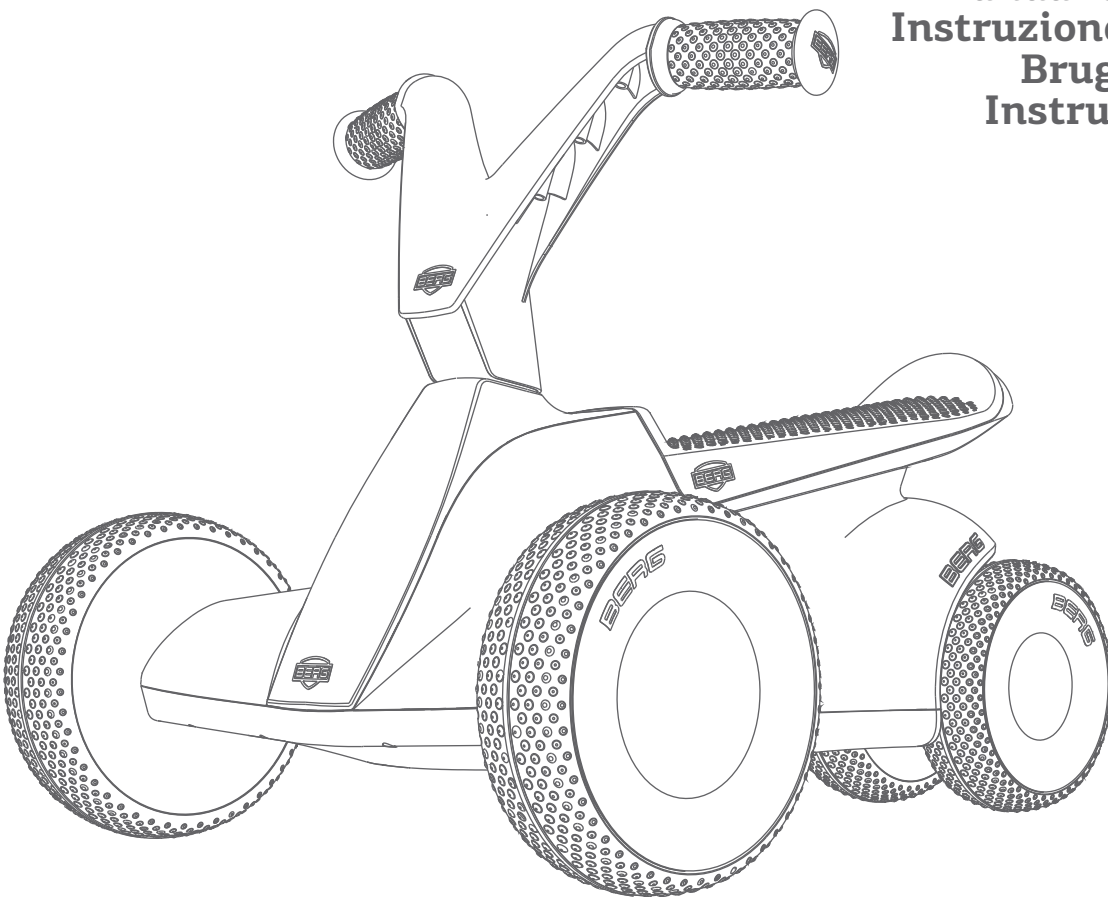




# BERG GO<sup>2</sup>

User manual  
Gebruikshandleiding  
Gebrauchsanweisung  
Mode d'emploi  
Manual de usuario  
Istruzione per l'uso  
Brugermanual  
Instruktionsbok



10-30 months



### WARNINGS

Adult assembly required  
Retain for future reference



### WAARSCHUWINGEN

Te monteren door een volwassene  
Bewaar de gebruikshandleiding voor toekomstig gebruik



### ACHTUNG

Der Zusammenbau ist durch einen Erwachsenen vorzunehmen  
Bewahren Sie die Anleitung für die zukünftige Verwendung



### ATTENTION

Assemblage par un adulte requis.  
Conserver la mode d'emploi pour utilisation future



### ADVERTENCIAS

Se requiere ensamblaje por un adulto.  
Conservar las instrucciones para uso futuro



### ATTENZIONE

Richiesto assemblaggio da parte di un adulto.  
Conservare le istruzioni per un uso future.



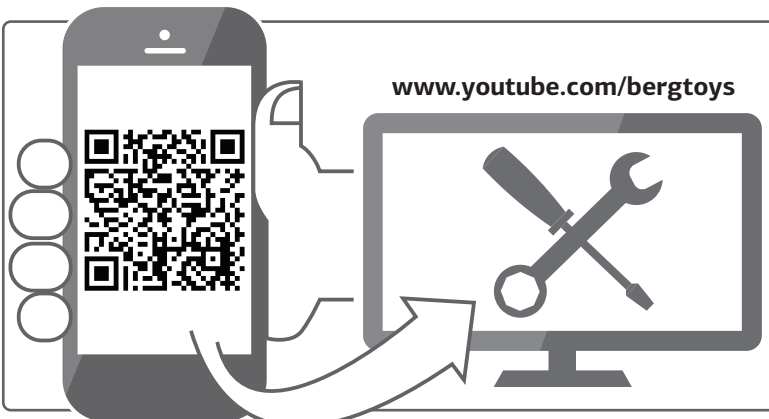
### ADVARSLER

Skal samles af en voksen.  
Gem brugervejledningene til fremtidig reference

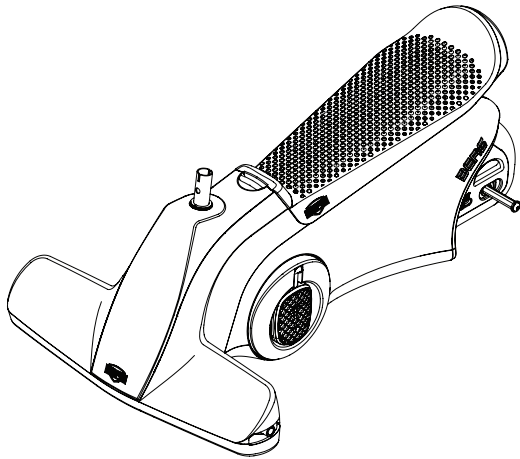


### VARNINGAR

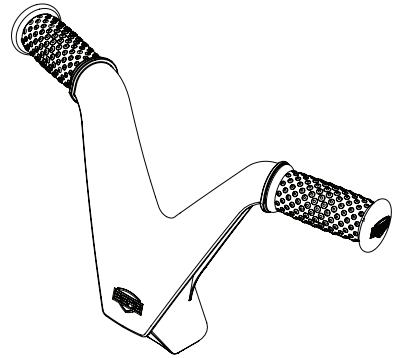
Montering av en vuxen krävs.  
Behåll användarmanualen för framtida bruk



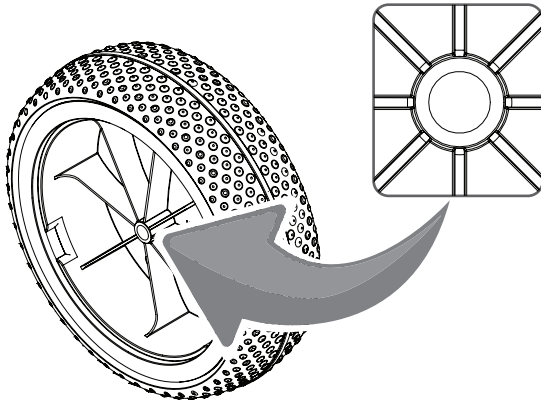
[www.youtube.com/bergtoys](http://www.youtube.com/bergtoys)



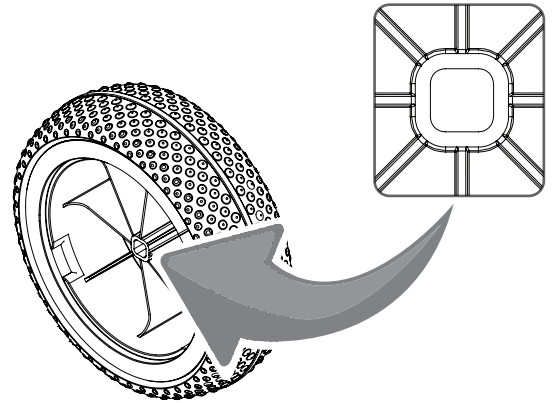
1 1x



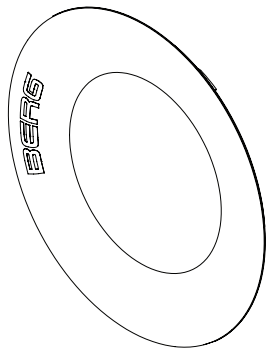
2 1x



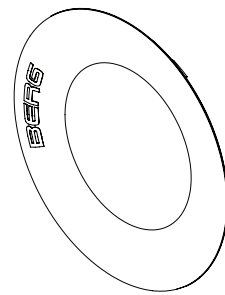
3 2x



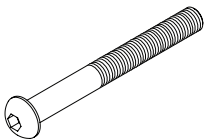
4 2x



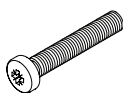
5 2x



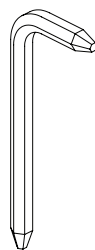
6 2x



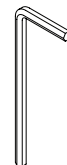
7 2x



8 1x



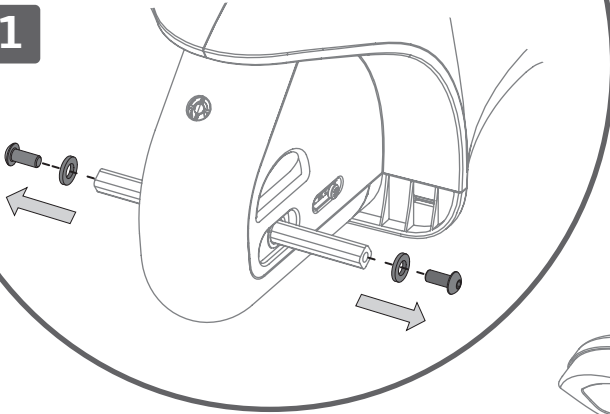
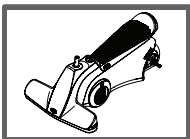
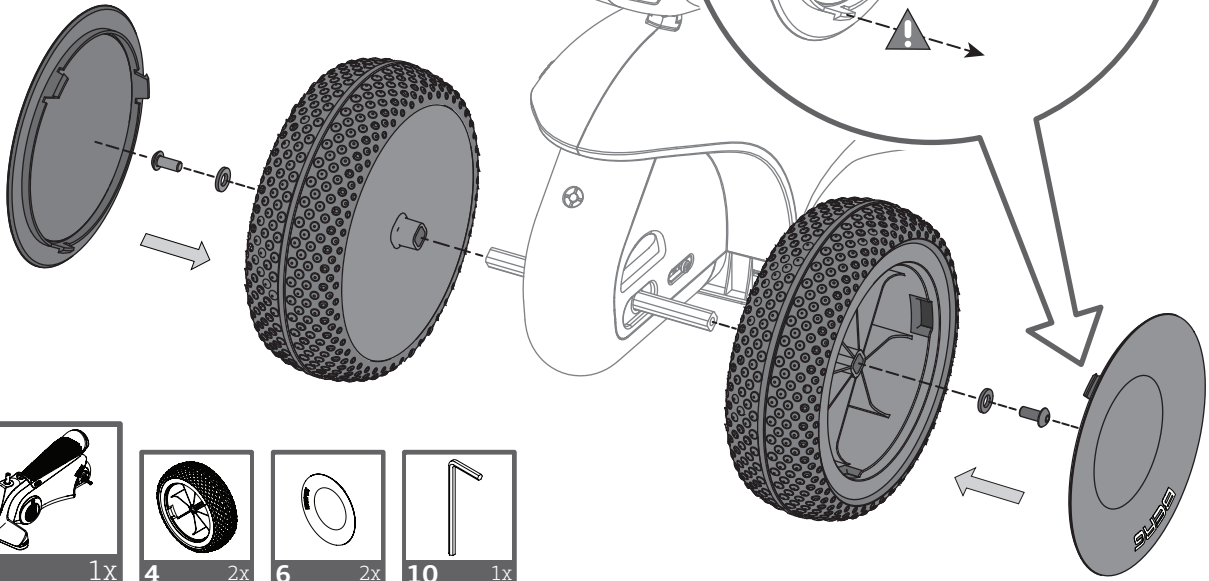
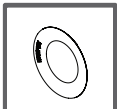
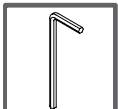
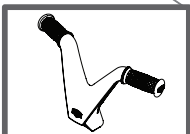
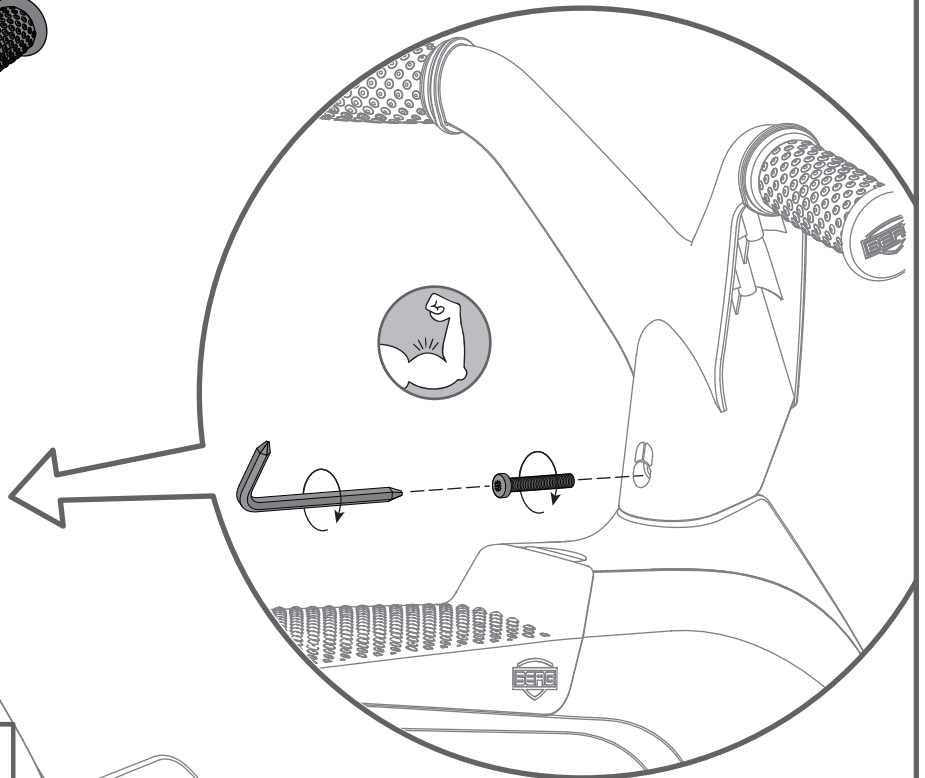
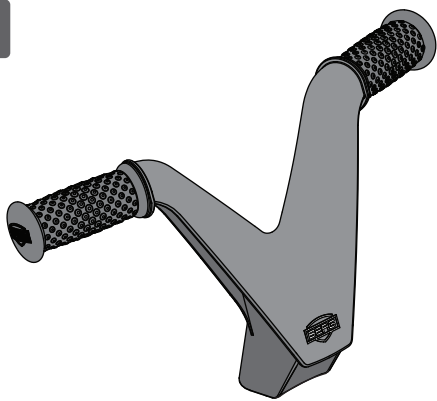
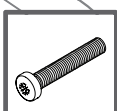
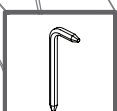
9 1x



10 1x

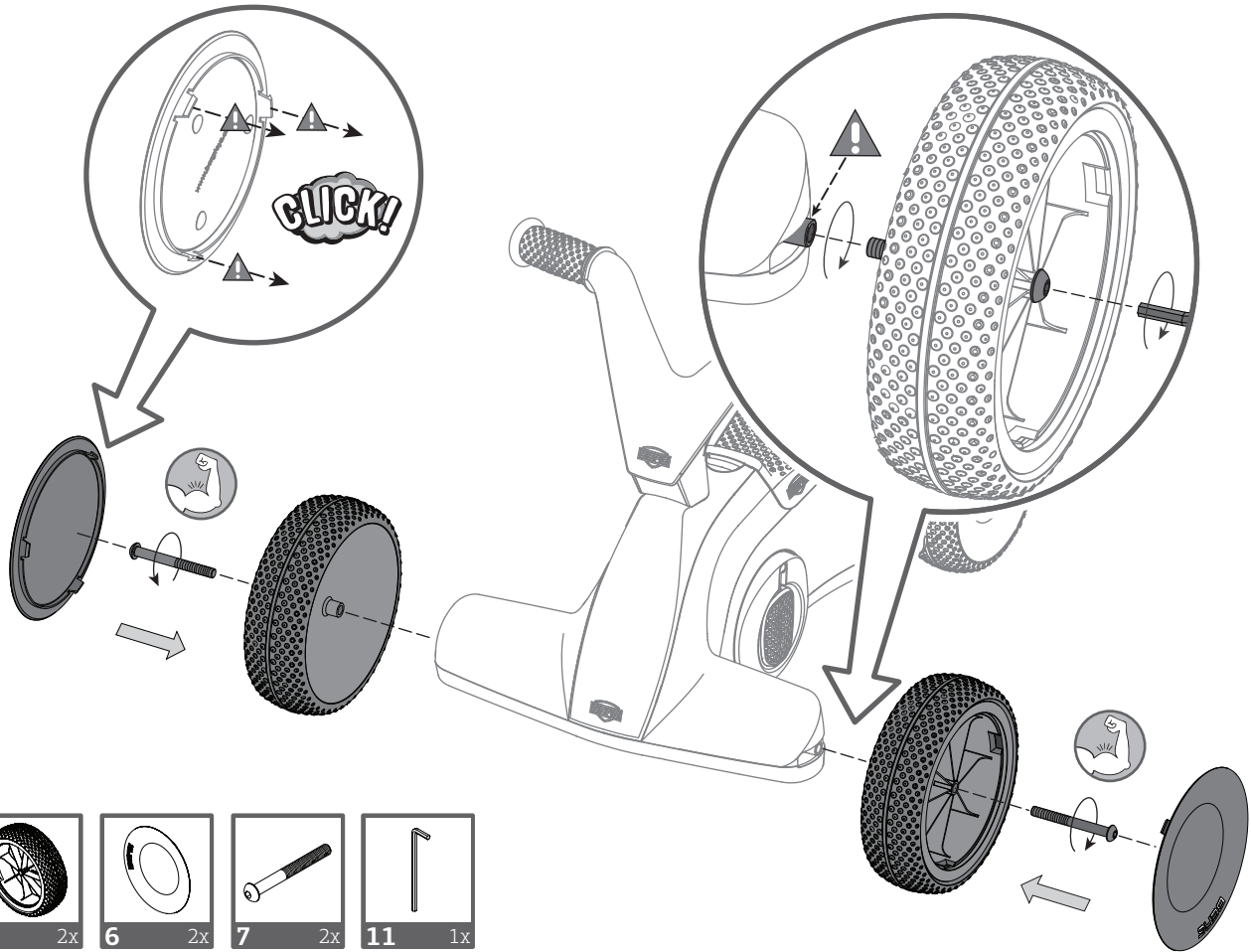


11 1x

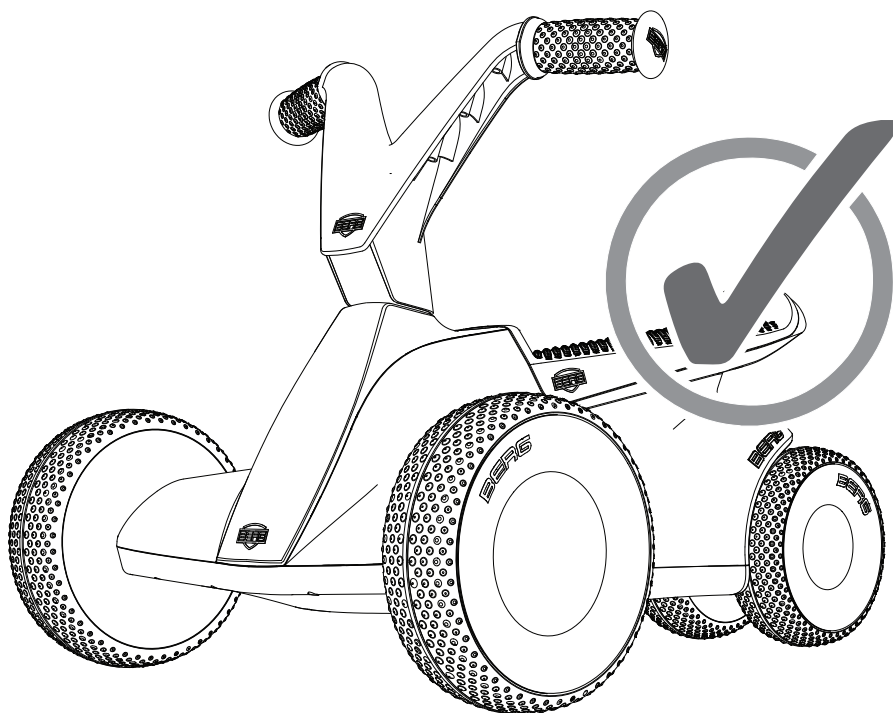
**1****2****1** 1x**4** 2x**6** 2x**10** 1x**3****2** 1x**8** 1x**9** 1x



4



5



## Introduction

Congratulations on your purchase of a BERG product!

BERG strives to design and produce robust and safe products. Your choice for a BERG product means you have chosen a product that will give years of pleasure. Because of the continuous development of our products we retain the right to change product specifications without giving any notice.

Read the manual carefully for the required safety and maintenance instructions.

The BERG product has a long life span, but will need some maintenance from time to time. You will find the instructions for maintenance in this User's Manual. People who keep this in mind are guaranteed of a hardwearing toy that will last for many years.

Visit our homepage at [www.bergtoys.com](http://www.bergtoys.com) to find out more about BERG and see our products and accessories. You are warmly invited to send an e-mail to BERG, with your suggestions for improvement and other experiences. You can send these to [info@bergtoys.com](mailto:info@bergtoys.com).

## Contents

1. Warnings!
2. User guidelines
  - 2.1 Safety
  - 2.2 User instructions
    - 2.2.1 Before Use
    - 2.2.2 During use
  - 2.3 Restrictions for use
  - 2.4 Accessories
3. Maintenance
  - 3.1 Maintenance scheme
  - 3.2 Maintenance activities
    - 3.2.1 Wheels / Tyres
    - 3.2.2 Housing
    - 3.2.3 Driving mechanism
    - 3.2.4 Steering
    - 3.2.5 Plastic parts
4. Warranty
  - 4.1 Warranty period
  - 4.2 Warranty regulation

## 1. Warnings!

- Adult supervision required.
- This product may not be used on public roads, hills, steps, sloped driveways or near swimming pools.
- Always wear shoes when using this product.
- This product has no brake.
- Not to be used by children weighing more than 20kg due to insufficient strength.
- Do not turn sharp when driving with high speed. The go-kart can tip!
- Be aware of loose hanging pieces of clothing such as scarves and shoelaces. These can become entangled in moving parts, which can lead to accidents.
- Never ride or supervise someone if you are under the influence of alcohol, drugs or medicines that can negatively affect your reaction time or powers of observation.

## 2. User guidelines

BERG or the dealer cannot be held responsible for improper use of this product. Read these guidelines before use to properly and safely use this product. BERG cannot be held responsible for any omissions in this manual.

### 2.1 Safety

Not to be used by children weighing more than 20kg due to insufficient strength.

### 2.2 User instructions

Only use your BERG product as instructed below. Any unauthorized use could result in serious injuries to the user and/or the product.

#### 2.2.1 Before use

- Make sure the steering and tires are functioning correctly and the bolts and nuts are fixed.
- Protective covers, which have been removed for maintenance purposes, should always be put back in the original state before use.
- Make sure the seat is in the right position and firmly secured.
- Make sure pedals are locked in position, either folded in or out.
- The adult is responsible for instructing the child how to operate this product.

#### 2.2.2 During use

- The toy should be used with caution since skill is required to avoid falls or collisions causing injury to the user or third parties.
- Ride at a suitable speed where you have control.
- Going downhill considerably increases your speed and accidents can occur. The braking distance will also be longer! It is not allowed to use this product on hills or slopes (up and downhill), there is a risk the product can tip over.
- Wearing protective gear is not mandatory but in the interest of safety it is advised.
- When parking, make sure that the go-kart cannot drive away, by turning the steering to the right or left steering position.
- Do not place any unnecessary object on or against the steering wheel/bar. Make sure that the steering wheel/bar always functions properly.

## 2.3 Restrictions for use

- Do not ride backwards at great speeds. Doing this could make you lose control.
- Collisions or other stunts increase the chance of injury to both the user and the product and are not allowed.
- Avoid contact with moving parts while riding the product.
- Do not get on or off the product while it is moving.
- Do not overload the product. Maximum user weight is 20kg.
- Not to be used by children weighing more than 20kg due to insufficient strength.
- Never ride in the dark without lights.
- Only original BERG accessories may be used. BERG has a range of accessories with which you can adapt the go-kart entirely to your own wishes. You can find all the accessories at [www.bergtoys.com](http://www.bergtoys.com).

## 2.4 Accessories

- Only use accessories approved by BERG and that are specifically developed for this product.
- For correct use and installation of an accessory please refer to the accompanying manual.
- All accessories should be assembled by an adult and supervised by an adult during use.

## 3. Maintenance

Some maintenance is necessary in order to use the BERG product and have fun with it for a long time. This chapter describes how, how often, and which maintenance must be carried out.

### 3.1 Maintenance scheme

Daily	Monthly	Half yearly
<b>Wheels / Tyres</b> <ul style="list-style-type: none"> <li>• Check for wear.</li> </ul>	<b>Housing</b> <ul style="list-style-type: none"> <li>• Clean, check and tighten all screws and bolts.</li> <li>• Check the housing for any cracks and fractures.</li> </ul> <b>Driving mechanism</b> <ul style="list-style-type: none"> <li>• Check for sand or dirt and clean if necessary.</li> <li>• Check and tighten bolts.</li> </ul> <b>Steering</b> <ul style="list-style-type: none"> <li>• Check all screws and bolts.</li> <li>• Check for sand or dirt and clean if necessary.</li> </ul>	<b>Plastic parts</b> <ul style="list-style-type: none"> <li>• Clean the plastic parts and check for damage.</li> </ul>

## 3.2 Maintenance activities

### 3.2.1 Wheels / Tyres

Regularly check the rims and tires for any damage (for example cuts, cracks and bulges). Attention: damaged rims and tires can lead to accidents! The tires must not come into contact with oil, grease or fuel.

### 3.2.2 Housing

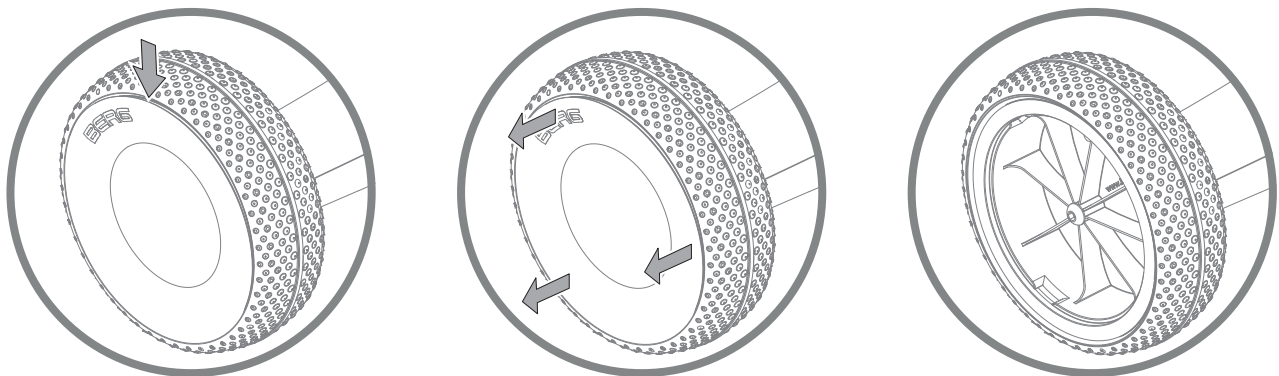
- The housing is made of high quality plastic. To prevent small scratches or damage and for the purpose of hygiene, please clean the housing regularly. While cleaning, please check for cracks and tears, especially in load-bearing parts. For cleaning, use warm water (when necessary soapy water) or a damp cloth. Never use abrasive or solvent-based cleaning solutions to clean the product.
- Check the bolts and nuts for rust and replace them to prevent them from breaking, which can cause injuries.

### 3.2.3 Driving mechanism

- Fold out pedals and check the bolts in the middle of the discs. Tighten if necessary.
- Remove the wheelcaps and check the bolts inside the rim. Tighten if necessary.

To remove the wheelcaps:

- Place a small flat object (e.g., a screw driver or knife) between the tyre and wheelcap.
- Wiggle the flat object towards the outside of the rim to pop out the wheelcaps.
- For repositioning the wheelcaps please look at the assembly illustrations in this manual.



### 3.2.4 Steering

The steering equipment must be checked every month for the following:

- Damage, wear and tear.
- The screw on the back of the handlebar must be tightened.
- Check if the handgrips are still fixed in position.

### 3.2.5 Plastic parts

- The plastic parts must be checked regularly for damage and breakage.
- In the case of breakage you must immediately replace the part concerned with an original part, in order to guarantee the safety of the user.



## **4. Warranty**

### **4.1 Warranty period**

The owner of this BERG product has the following guarantees on this product:

- The housing has a warranty of 2 years from the date of purchase and an additional year after registration on [bergtoys.com](http://bergtoys.com).
- Parts that are liable to wear and tear (such as chains and tires) are excluded from warranty.
- Check [www.bergtoys.com](http://www.bergtoys.com) for extensive warranty regulations.

### **4.2 Warranty regulations**

The owner of the product can only claim a warranty by presenting the original bill of the purchase.

The warranty only applies to material and construction faults and with respect to this product or parts thereof. The warranty lapses if:

- The product is incorrectly and/or carelessly used.
- Use of the product is not in accordance with its purpose.
- The product is not assembled and maintained in conformance with the user manual.
- Technical repairs to the product are not carried out in a professional way.
- Parts mounted afterwards do not meet technical specifications of the product involved or have not been mounted correctly.
- Added parts or replaced parts are no official BERG spare parts or accessories.
- Deficiencies arise as a result of climate influences, such as rust or normal weathering of the paint work.
- The product has been used for rental purposes or in any other way made available to several unspecified persons.

Under no circumstances can BERG be held responsible for damage to the products (of parts thereof) as a result of:

- Incorrect adjustment/tightening of the steering, the steering mechanism, chain and tires.
- Replacement of parts such as the chain and tires not being carried out in time.

During the warranty period, all material and construction faults assessed by BERG will be repaired or replaced at the discretion of BERG.

The owner of the product can only lay claim under this warranty by returning to the company where the product was bought. Besides the complaint, take the product serial number and original purchase receipt with you. You can find the serial number on the frame of the product.

If the claim under the warranty is refused, all costs incurred must be paid by the owner.

The warranty is not transferable to third parties.



## PRODUCT REGISTRATION

## BERG GO<sup>2</sup>

### Would you like additional warranty free of charge?\*

Don't forget to register your product online immediately after purchase via [www.bergtoys.com/registration](http://www.bergtoys.com/registration). You will receive a 1-year additional frame warranty on your BERG GO<sup>2</sup>.

\*Read the terms and conditions on [www.bergtoys.com/registration](http://www.bergtoys.com/registration)

### Wil je extra gratis garantie?\*

Vergeet je product dan niet online te registreren direct na aankoop via [www.bergtoys.com/registration](http://www.bergtoys.com/registration). Hiermee krijg je 1 jaar extra framegarantie op jouw BERG GO<sup>2</sup>.

\*Bekijk de voorwaarden op [www.bergtoys.com/registration](http://www.bergtoys.com/registration)

### Möchtest du eine kostenlose Zusatzgarantie?\*

Vergiss dann nicht, dein Produkt gleich nach dem Kauf unter [bergtoys.com/registration](http://www.bergtoys.com/registration) online zu registrieren! Du erhältst dann 1 Jahre zusätzliche Garantie auf den Rahmen deines neuen BERG GO<sup>2</sup>!

Die Bedingungen hierfür findest du auf [www.bergtoys.com/registration](http://www.bergtoys.com/registration).

### Veux-tu une extension gratuite de la garantie?\*

N'oublie pas d'enregistrer ton produit en ligne directement après l'achat via [www.bergtoys.com/registration](http://www.bergtoys.com/registration). Cela te donne 1 ans de garantie supplémentaires sur le cadre du BERG GO<sup>2</sup> acheté.

\*Consulte les conditions sur [www.bergtoys.com/registration](http://www.bergtoys.com/registration)

### ¿Quieres garantía adicional gratis?\*

Entonces no olvides registrar tu producto online directamente después de la compra a través de [www.bergtoys.com/registration](http://www.bergtoys.com/registration). Así obtendrás 1 años vde garantía adicional para el cuadro/estructura de tu BERG GO<sup>2</sup>. \*Consulta para las condiciones [www.bergtoys.com/registration](http://www.bergtoys.com/registration)

### Desideri una garanzia aggiuntiva gratuitamente? \*

Non dimenticarti di registrare il prodotto on line immediatamente dopo l'acquisto su [www.bergtoys.com/registration](http://www.bergtoys.com/registration). Riceverai una garanzia aggiuntiva per il telaio di 1 anni sul tuo acquisto.

\*Leggere i termini e le condizioni su [www.bergtoys.com/registration](http://www.bergtoys.com/registration)

### Vil du gerne have yderligere garanti uden at betale ekstra?\*

Husk at registrere dit produkt online umiddelbart efter købet på [www.bergtoys.com/registration](http://www.bergtoys.com/registration). Så får du en stelgaranti på yderligere 1 år.

\*Læs vilkårene og betingelserne på [www.bergtoys.com/registration](http://www.bergtoys.com/registration)



[www.bergtoys.com/registration](http://www.bergtoys.com/registration)